

Urine Collection Set

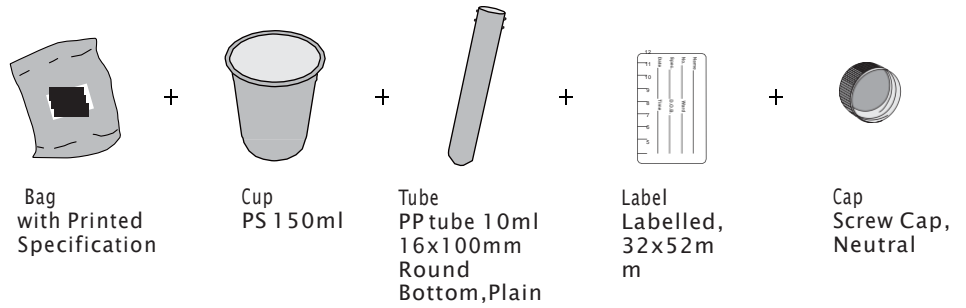
Urine Collection Set

Urine collection system including one 150ml PS cup, one piece of tubes(three options tubes available), labeled, then packaged in PE bag.
This system designed to be used when urine samples need to be collected into tubes for a subsequent centrifugation.

The patient urinates in the 150ml plastic cup and then pours the urine into the tube.

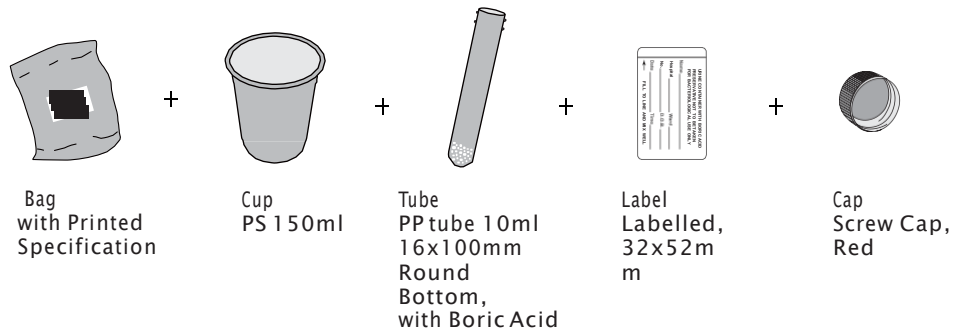
Once the tubes are filled up, the patient caps it and delivers the sample to the lab, where the health assistant will fill in the label with the required data.

The patient just has to follow the hospital or laboratory instructions. This system could be flexible assembled upon requested.



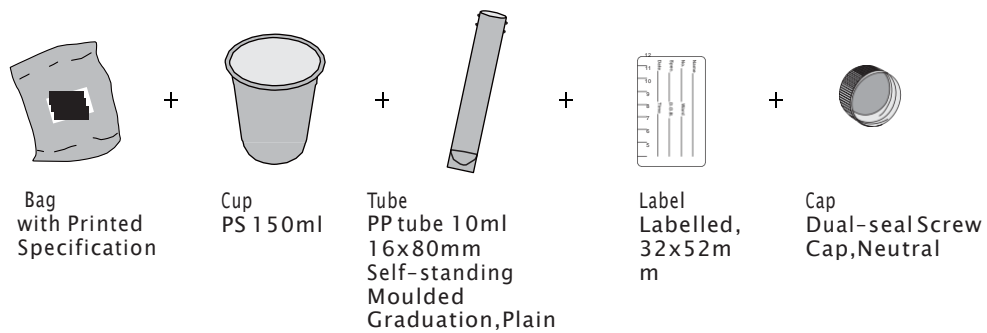
Cat. No.	Packaging Option	Case Qty	Sterility
88100	50 kits in a sealed PE bag, 10bags in each case	500	No

88101 Individually, case of 200kits 200 No



Cat. No.	Packaging Option	Case Qty	Sterility
88102	50 kits in a sealed PE bag, 10bags in each case	500	No

88103 Individually, case of 200kits 200 No



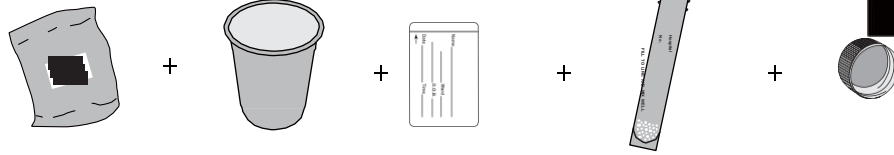
Cat. No.	Packaging Option	Case Qty	Sterility
88110	50 kits in a sealed PE bag,	500	No
	10bags in each case		

88111

Individually, case of 200kits

200

No



Bag with Printed Specification

Cup PS 150ml

Tube PP tube 10ml 16x80mm Self-standing Moulded Graduation, Plain with Boric Acid

Label Labelled, 32x52mm

Cap Dual-seal Screw cap, Red

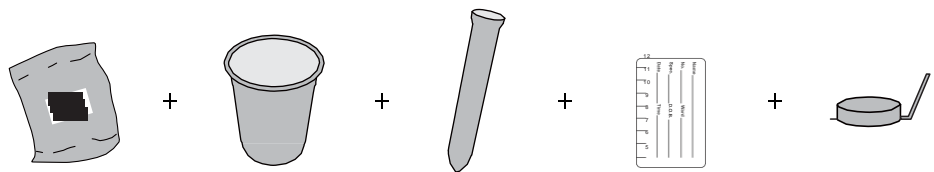
Cat. No.	Packaging Option	Case Qty	Sterility
88112	50 kits in a sealed PE bag, 10bags in each case	500	No

88113

Individually, case of 200kits

200

No



Bag with Printed Specification

Cup PS 150ml

Tube PP tube 15ml 20x103mm Moulded Graduation, Plain

Label Labelled, 32x52mm

Cap Snap Cap, Neutral

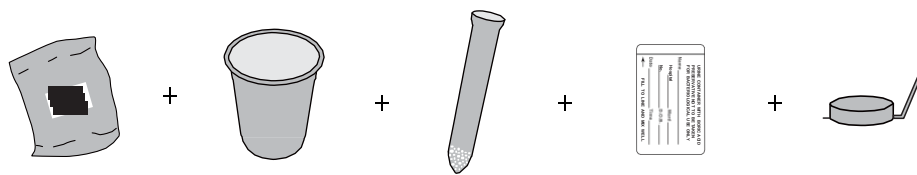
Cat. No.	Packaging Option	Case Qty	Sterility
88120	50 kits in a sealed PE bag, 10bags in each case	500	No

88121

Individually, case of 200kits

200

No



Bag with Printed Specification

Cup PS 150ml

Tube PP tube 15ml 20x103mm Moulded Graduation, with Boric Acid

Label Labelled, 32x52mm

Cap Snap cap, Red

Cat. No.	Packaging Option	Case Qty	Sterility
88122	50 kits in a sealed PE bag, 10bags in each case	500	No

88123	Individually,case of 200kits	200	No
-------	------------------------------	-----	----





Transport Swabs, Without Medium

Cotton/Viscose Swabs, Plain



- Manufactured to a uniform length and shape with high absorbent Cotton/Viscose Tips.
- Size: 150mm Stick applicator with ϕ 5.5 mm Tip.
- CE Marked in accordance with the European Directive 98/79/EC

Cat. No.	Material Stick/Tip	Packaging Option	Inner Pack	Case Qty	Sterility
71100	Wood/No	Box	1000/Box	40000	NON-
71200	Wood/Cotton	Zip Bag + Box	100/ZIP Bag, 10bags/box	10000	NON-
71201	Wood/Cotton	Zip Bag + Box	100/ZIP Bag, 10bags/box	10000	EO
71202	Wood/Cotton	Peel Pack	1/peel, 500peels/box	2000	IR CE 0197
71203	Wood/Cotton	Peel Pack	2/peel, 250peels/box	2000	IR CE 0197
71204	Wood/Cotton	Peel Pack	1/peel	1000	EO
71205	Wood/Cotton	Peel Pack	2/peel	2000	EO
71210	Wood/Viscose	Zip Bag + Box	100/ZIP Bag, 10bags/box	10000	NON-
71211	Wood/Viscose	Zip Bag + Box	100/ZIP Bag, 10bags/box	10000	EO
71214	Wood/Viscose	Peel Pack	1/peel	1000	EO
71215	Wood/Viscose	Peel Pack	2/peel	2000	EO
71300	PS/Cotton	Zip Bag + Box	100/ZIP Bag, 10bags/box	10000	NON-
71301	PS/Cotton	Zip Bag + Box	100/ZIP Bag, 10bags/box	10000	EO
71302	PS/Cotton	Peel Pack	1/peel, 500peels/box	2000	IR CE 0197
71303	PS/Cotton	Peel Pack	2/peel, 250peels/box	2000	IR CE 0197
71304	PS/Cotton	Peel Pack	1/peel	1000	EO
71305	PS/Cotton	Peel Pack	2/peel	2000	EO
71310	PS/Viscose	Zip Bag + Box	100/ZIP Bag, 10bags/box	10000	NON-
71311	PS/Viscose	Zip Bag + Box	100/ZIP Bag, 10bags/box	10000	EO
71312	PS/Viscose	Peel Pack	1/peel, 500peels/box	2000	IR CE 0197
71313	PS/Viscose	Peel Pack	2/peel, 250peels/box	2000	IR CE 0197
71314	PS/Viscose	Peel Pack	1/peel	1000	EO
71315	PS/Viscose	Peel Pack	2/peel	2000	EO



Transport Swabs, with Medium

Transport Swabs, Without Medium



- Manufactured from virgin polypropylene or LDPE tubes, round bottom with size $\Phi 13\text{mm} \times \text{H } 150\text{mm}$
- Ideal for sample collection and transport device for bacteria
- CE Marked as Class IIa in accordance with the Medical Device Directive 93/42/EEC
- Colour coded caps for easier identification

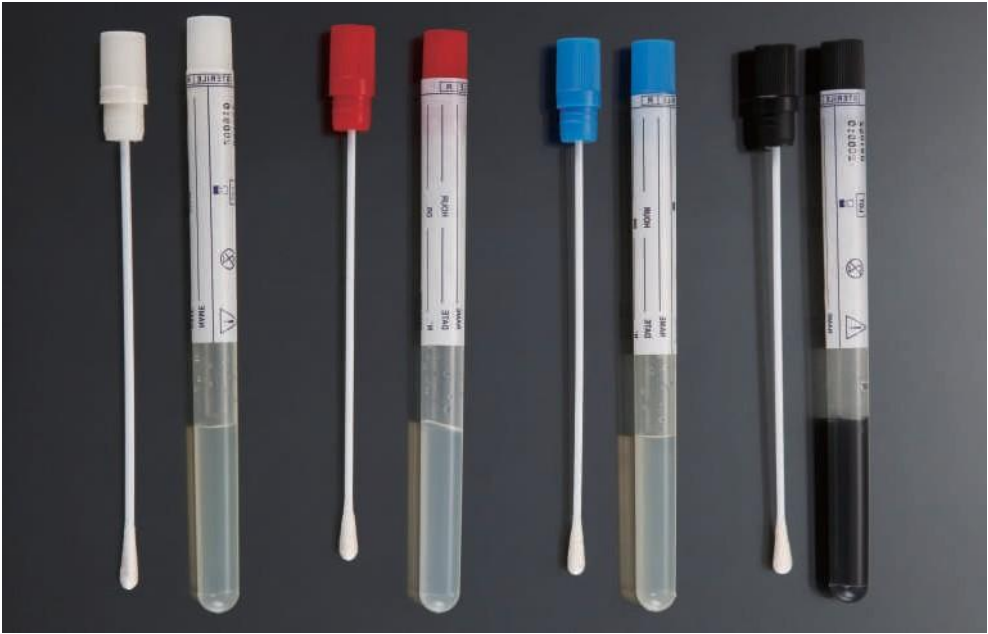
Cat. No.	Material Stick/Tip	Stick/Tip	Packaging Option	Case Qty	Sterility
72100	PP,Rigid	Wood/Cotton	100/box	1000	NON-
72110	PP,Rigid	Wood/Cotton	1/peel,100peels/box	1000	IR € 0197
72130	PP,Rigid	Wood/Cotton	1/peel,100peels/box	1000	EO
72120	PP,Rigid	Wood/Cotton	1/flow pack,100packs/box	1000	EO
72200	PP,Rigid	Wood/Viscose	100/box	1000	NON-
72210	PP,Rigid	Wood/Viscose	1/peel,100peels/box	1000	IR € 0197
72230	PP,Rigid	Wood/Viscose	1/peel,100peels/box	1000	EO
72220	PP,Rigid	Wood/Viscose	1/flow pack,100packs/box	1000	EO
72300	PP,Rigid	PS/Cotton	100/box	1000	NON-
72310	PP,Rigid	PS/Cotton	1/peel,100peels/box	1000	IR € 0197
72330	PP,Rigid	PS/Cotton	1/peel,100peels/box	1000	EO
72320	PP,Rigid	PS/Cotton	1/flow pack,100packs/box	1000	EO
72400	PP,Rigid	PS/Viscose	100/box	1000	NON-
72410	PP,Rigid	PS/Viscose	1/peel,100peels/box	1000	IR € 0197
72430	PP,Rigid	PS/Viscose	1/peel,100peels/box	1000	EO
72420	PP,Rigid	PS/Viscose	1/flow pack,100packs/box	1000	EO
72410PP	PP,Rigid	PP/Viscose	1/peel,100peels/box	1000	IR € 0197
72500	LDPE,Flexible	Wood/Cotton	100/box	1000	NON-
72510	LDPE,Flexible	Wood/Cotton	1/peel,100peels/box	1000	EO
72520	LDPE,Flexible	Wood/Cotton	1/flow pack,100packs/box	1000	EO
72600	LDPE,Flexible	Wood/Viscose	100/box	1000	NON-
72610	LDPE,Flexible	Wood/Viscose	1/peel,100peels/box	1000	EO
72620	LDPE,Flexible	Wood/Viscose	1/flow pack,100packs/box	1000	EO
72700	LDPE,Flexible	PS/Cotton	100/box	1000	NON-
72710	LDPE,Flexible	PS/Cotton	1/peel,100peels/box	1000	EO
72720	LDPE,Flexible	PS/Cotton	1/flow pack,100packs/box	1000	EO
72800	LDPE,Flexible	PS/Viscose	100/box	1000	NON-
72810	LDPE,Flexible	PS/Viscose	1/peel,100peels/box	1000	EO
72820	LDPE,Flexible	PS/Viscose	1/flow pack,100packs/box	1000	EO





Transport Swabs, with Medium

Transport Swabs, With Medium



Sterile swabs supplied in Polypropylene round bottom tube, Dia. 13 x150mm
 Ideal for sample collection and transport device for bacteria
 Contains media for the maintenance of bacterial sample during transport to the laboratory
 Ideal for sample collection and transport device for bacteria contains media for the maintenance of bacterial sample during transport to the laboratory
 In vitro use only
 CE marked as Class II in accordance with the Medical Device Directive 93/42/EEC
 Certificate of Sterility and Quality Assurance is available on request
 Each batch of products is tested for performance using a wide range of aerobic and anaerobic pathogens to ensure adequate recoveries
 Lot number / expiry date and tamper evident tube ensure complete traceability and sterility
 Storage: once opened keep powered medium closed avoid hydration
 Color-coded caps
 Wrapped in convenient peel pouch format
 Gamma radiation sterilized



Cat. No.	Material Stick/Tip	Medium	Cap colour	Packaging Option	Inner Pack	Case Qty	Sterility
73100	PS/Viscose	Cary Blair Gel	Red	Peel Pack	1 /peel,100peels/box	1000	IR
73200	PS/Viscose	Amies Gel	Blue	Peel Pack	1 /peel,100peels/box	1000	IR
73400	PS/Viscose	Amies Gel with Charcoal	Black	Peel Pack	1 /peel,100peels/box	1000	IR
73300	PS/Viscose	Stuart Gel	White	Peel Pack	1 /peel,100peels/box	1000	IR

CE 0197
 CE 0197
 CE 0197
 CE 0197



Transfer Pipettes



Runlab Pipettes are manufactured from a special non-toxic low-density polyethylene. Ideal for transferring and dispensing liquids safely in all types of laboratories eliminating the risk of cross contamination.

Available in a wide range of standard and special types.

Offer excellent transparency with uniform wall thickness and precise graduations ensuring consistent results.

In choice of sterile individually peel pouch and flow wrapped or packed in 10's and 20's and non-sterile in handy bench packs.

Graduated Pipete

5ml Capacity-Graduated to 1 ml – Large Bulb



Capacity: 5ml

Total Length: 150mm

Dropper/ml: 23

Stem Diameter: 5mm

Bulb Draw: 3.5ml

Graduated Up to: 1 ml

Graduated increasement:

Cat. No.	Packaging Option	Inner Pack	Case Qty	Sterility
11100	Resealable bag	250	5000	NON-
11101	Box	500	3000	NON-
11102	Dispenser Box	500	3000	NON-
11111	Peel Pack	1	500	EO
11112	Peel Pack	5	500	EO
11113	Peel Pack	10	1500	EO
11114	Peel Pack	20	1500	EO
11121	Flow Pack	1	500	EO
11122	Flow Pack	5	2000	EO
11123	Flow Pack	10	2000	EO



Graduated Pipete

7ml Capacity-Graduated to 3ml – Large Bulb



Capacity: 7ml

Total Length: 160mm

Dropper/ml: 21

Stem Diameter:

7.8mm Bulb

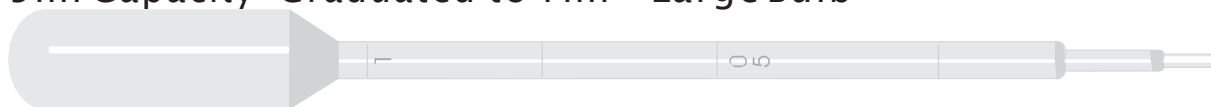
Draw: 3.5ml

Graduated Up to: 3ml

Graduated increasement: 0.5ml

Cat. No.	Packaging Option	Inner Pack	Case Qty	Sterility
11200	Resealable bag	250	5000	NON-
11201	Box	500	3000	NON-
11202	Dispenser Box	500	3000	NON-
11211	Peel Pack	1	500	EO
11212	Peel Pack	5	500	EO
11213	Peel Pack	10	1500	EO
11214	Peel Pack	20	1500	EO
11221	Flow Pack	1	500	EO
11222	Flow Pack	5	2000	EO
11223	Flow Pack	10	2000	EO
11224	Flow Pack	20	2000	EO

5ml Capacity-Graduated to 1 ml – Large Bulb



Capacity: 5ml

Total Length: 160mm

Dropper/ml: 25

Stem Diameter:

5.0mm Bulb

Draw: 3.5ml

Graduated Up to: 1ml

Graduated increasement: 0.25ml

Cat. No.	Packaging Option	Inner Pack	Case Qty	Sterility
11300	Resealable bag	250	5000	NON-
11301	Box	500	3000	NON-
11302	Dispenser Box	500	3000	NON-
11311	Peel Pack	1	500	EO
11312	Peel Pack	5	500	EO
11313	Peel Pack	10	1500	EO
11314	Peel Pack	20	1500	EO
11321	Flow Pack	1	500	EO
11322	Flow Pack	5	2000	EO
11323	Flow Pack	10	2000	EO
11324	Flow Pack	20	2000	EO



Graduated Pipete

7ml Capacity-Graduated to 3ml – Large Bulb



Capacity: 7ml

Total Length: 160mm

Dropper/ml: 21

Stem Diameter:

7.8mm Bulb

Draw: 3.5ml

Graduated Up to: 3ml

Graduated increasement: 0.5ml

Cat. No.	Packaging Option	Inner Pack	Case Qty	Sterility
11400	Resealable bag	250	5000	NON-
11401	Box	500	3000	NON-
11402	Dispenser Box	500	3000	NON-
11411	Peel Pack	1	500	EO
11412	Peel Pack	5	500	EO
11413	Peel Pack	10	1500	EO
11414	Peel Pack	20	1500	EO
11421	Flow Pack	1	500	EO
11422	Flow Pack	5	2000	EO
11423	Flow Pack	10	2000	EO



Graduated Pipete

5ml Capacity-Graduated to 2ml – Blood Bank



Capacity: 5ml

Total Length: 155mm

Dropper/ml: 22

Stem Diameter:

6.7mm Bulb

Draw: 2.4ml

Graduated Up to: 2ml

Graduated increasement: 0.5ml

Cat. No.	Packaging Option	Inner Pack	Case Qty	Sterility
11500	Resealable bag	250	5000	NON-
11501	Box	500	3000	NON-
11502	Dispenser Box	500	3000	NON-
11511	Peel Pack	1	500	EO
11512	Peel Pack	5	500	EO
11513	Peel Pack	10	1500	EO
11514	Peel Pack	20	1500	EO
11521	Flow Pack	1	500	EO
11522	Flow Pack	5	2000	EO
11523	Flow Pack	10	2000	EO
11524	Flow Pack	20	2000	EO

6ml Capacity-Graduated to 1.5ml – Long Stem



75% as real size

Capacity: 6ml

Total Length: 230mm

Dropper/ml: 22

Stem Diameter: 5.0mm

Bulb Draw: 3.5ml

Graduated Up to:

1.5ml

Graduated increasement: 0.5ml

Cat. No.	Packaging Option	Inner Pack	Case Qty	Sterility
11600	Resealable bag	250	5000	NON-
11601	Box	400	4000	NON-
11602	Dispenser Box	400	4000	NON-
11611	Peel Pack	1	500	EO
11612	Peel Pack	5	500	EO
11613	Peel Pack	10	1500	EO
11614	Peel Pack	20	1500	EO
11621	Flow Pack	1	500	EO
11622	Flow Pack	5	2000	EO
11623	Flow Pack	10	2000	EO
11624	Flow Pack	20	2000	EO



Graduated Pipete

3ml Capacity-Graduated to 1 ml – Short Bulb



Capacity: 3ml

Total Length: 138mm

Dropper/ml: 22

Stem Diameter:

5.0mm Bulb

Draw: 1.5ml

Graduated Up to: 1 ml

Graduated increase: 0.25ml

Cat. No.	Packaging Option	Inner Pack	Case Qty	Sterility
11700	Resealable bag	250	5000	NON-
11701	Box	500	3000	NON-
11702	Dispenser Box	500	3000	NON-
11711	Peel Pack	1	500	EO
11712	Peel Pack	5	500	EO
11713	Peel Pack	10	1500	EO
11714	Peel Pack	20	1500	EO
11721	Flow Pack	1	500	EO
11722	Flow Pack	5	2000	EO
11723	Flow Pack	10	2000	EO
11724	Flow Pack	20	2000	EO



Fine Tip

1.5ml Capacity-Extended Tip – Small Bulb



Capacity: 1.5ml

Total Length: 104mm

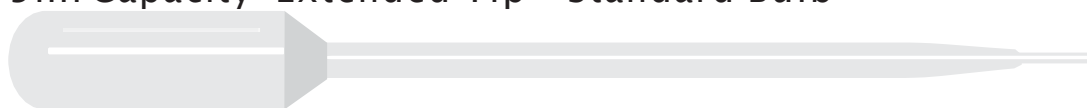
Dropper/ml: 50

Stem Diameter: 3.0mm

Bulb Draw: 1.0ml

Cat. No.	Packaging Option	Inner Pack	Case Qty	Sterility
12100	Resealable bag	250	5000	NON-
12101	Box	500	3000	NON-
12102	Dispenser Box	500	3000	NON-
12111	Peel Pack	1	500	EO
12112	Peel Pack	5	500	EO
12113	Peel Pack	10	1500	EO
12114	Peel Pack	20	1500	EO
12121	Flow Pack	1	500	EO
12122	Flow Pack	5	2000	EO
12123	Flow Pack	10	2000	EO
12124	Flow Pack	20	2000	EO

5ml Capacity-Extended Tip – Standard Bulb



Capacity: 5ml

Total Length: 144mm

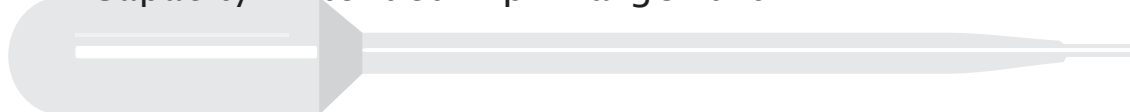
Dropper/ml: 65

Stem Diameter: 5.0mm

Bulb Draw: 3.5ml

Cat. No.	Packaging Option	Inner Pack	Case Qty	Sterility
12200	Resealable bag	250	5000	NON-
12201	Box	500	3000	NON-
12202	Dispenser Box	500	3000	NON-
12211	Peel Pack	1	500	EO
12212	Peel Pack	5	500	EO
12213	Peel Pack	10	1500	EO
12214	Peel Pack	20	1500	EO
12221	Flow Pack	1	500	EO
12222	Flow Pack	5	2000	EO
12223	Flow Pack	10	2000	EO
12224	Flow Pack	20	2000	EO

7ml Capacity-Extended Tip – Large Bulb



Capacity: 7ml

Total Length: 150mm

Dropper/ml: 66

Cat. No.	Packaging Option	Inner Pack	Case Qty	Sterility
12300	Resealable bag	250	5000	NON-
12301	Box	400	3200	NON-
12302	Dispenser Box	400	3200	NON-
12311	Peel Pack	1	500	EO
12312	Peel Pack	5	500	EO
12313	Peel Pack	10	1500	EO
12314	Peel Pack	20	1500	EO
12321	Flow Pack	1	500	EO
12322	Flow Pack	5	2000	EO
12323	Flow Pack	10	2000	EO

Stem Diameter: 6.3mm

Bulb Draw:6.0ml





Fine Tip

1.2ml Capacity – Short Stem



Capacity: 1.2ml

Total Length:

63mm

Dropper/ml: 25

Stem Diameter: 2.5mm

Bulb Draw: 0.9ml

Cat. No.	Packaging Option	Inner Pack	Case Qty	Sterility
13100	Resealable bag	250	5000	NON-
13101	Box	500	3000	NON-
13102	Dispenser Box	500	3000	NON-
13111	Peel Pack	1	500	EO
13112	Peel Pack	5	500	EO
13113	Peel Pack	10	1500	EO
13114	Peel Pack	20	1500	EO
13121	Flow Pack	1	500	EO
13122	Flow Pack	5	2000	EO
13123	Flow Pack	10	2000	EO
13124	Flow Pack	20	2000	EO

4ml Capacity – Short Stem



Capacity: 4ml

Total Length: 83mm

Dropper/ml: 22

Stem Diameter: 2.5mm

Bulb Draw: 3.5ml

Cat. No.	Packaging Option	Inner Pack	Case Qty	Sterility
13200	Resealable bag	250	5000	NON-
13201	Box	500	3000	NON-
13202	Dispenser Box	500	3000	NON-
13211	Peel Pack	1	500	EO
13212	Peel Pack	5	500	EO
13213	Peel Pack	10	1500	EO
13214	Peel Pack	20	1500	EO
13221	Flow Pack	1	500	EO
13222	Flow Pack	5	2000	EO
13223	Flow Pack	10	2000	EO
13224	Flow Pack	20	2000	EO



4ml Capacity – Standard



Capacity: 4ml

Total Length: 150mm

Dropper/ml: 28

Stem Diameter: 2.5mm

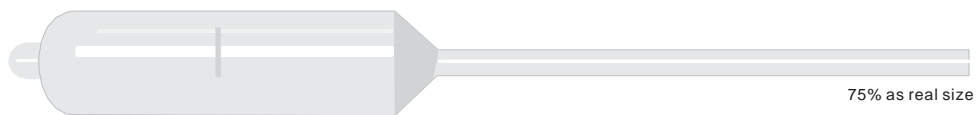
Bulb Draw: 3.5ml

Cat. No.	Packaging Option	Inner Pack	Case Qty	Sterility
13300	Resealable bag	250	5000	NON-
13301	Box	500	3000	NON-
13302	Dispenser Box	500	3000	NON-
13311	Peel Pack	1	500	EO
13312	Peel Pack	5	500	EO
13313	Peel Pack	10	1500	EO
13314	Peel Pack	20	1500	EO
13321	Flow Pack	1	500	EO
13322	Flow Pack	5	2000	EO
13323	Flow Pack	10	2000	EO
13324	Flow Pack	20	2000	EO



Extra Large

14ml Capacity – Large Bulb



Capacity: 14ml

Total Length: 170mm

Dropper/ml: 18

Stem Diameter: 4.0mm

Bulb
Draw: 10.0ml

Cat. No.	Packaging Option	Inner Pack	Case Qty	Sterility
14100	Resealable bag	100	600	NON-
14101	Box	100	600	NON-
14111	Peel Pack	1	500	EO
14112	Peel Pack	5	500	EO

23ml Capacity – Large Bulb



Capacity: 23ml

Total Length: 300mm

Dropper/ml: 22

Stem Diameter: 9.0mm

Bulb Draw: 10ml

Cat. No.	Packaging Option	Inner Pack	Case Qty	Sterility
14200	Resealable bag	100	600	NON-
14201	Box	100	600	NON-
14202	Dispenser Box	100	600	NON-
14211	Peel Pack	1	500	EO
14212	Peel Pack	5	500	EO



Paddle Pipet



Capacity: 3ml

Total Length: 130mm

Dropper/ml: 33

Stem Diameter: 3.8mm

Bulb Draw: 0.2ml

Cat. No.	Packaging Option	Inner Pack	Case Qty	Sterility
15100	Resealable bag	250	5000	NON-
15101	Box	500	3000	NON-
15102	Dispenser Box	500	3000	NON-
15111	Peel Pack	1	500	EO
15112	Peel Pack	5	500	EO
15113	Peel Pack	10	1500	EO
15114	Peel Pack	20	1500	EO
15121	Flow Pack	1	500	EO
15122	Flow Pack	5	2000	EO
15123	Flow Pack	10	2000	EO
15124	Flow Pack	20	2000	EO



Capacity: 3ml

Total Length: 128mm

Dropper/ml: 33

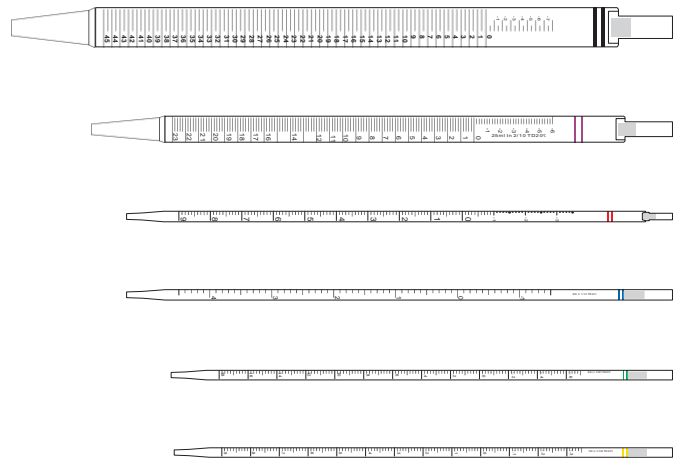
Stem Diameter: 3.8mm

Bulb Draw: 0.2ml

Cat. No.	Packaging Option	Inner Pack	Case Qty	Sterility
15200	Resealable bag	250	5000	NON-
15201	Box	500	3000	NON-
15202	Dispenser Box	500	3000	NON-
15211	Peel Pack	1	500	EO
15212	Peel Pack	5	500	EO
15213	Peel Pack	10	1500	EO
15214	Peel Pack	20	1500	EO
15221	Flow Pack	1	500	EO
15222	Flow Pack	5	2000	EO
15223	Flow Pack	10	2000	EO
15224	Flow Pack	20	2000	EO



Serological Pipettes



Manufactured from virgin polystyrene are ideal for accurate liquid transfer or mix.
 Management system EN ISO13485 with SOPs and 100,000 grade clean-room guarantee quality.
 Available with 6 capacity of 1.0, 2.0, 5.0, 10.0, 25.0 and 50.0ml The 1 ml, 2ml and 5ml are a one piece construction and the 10ml, 25ml and 50ml
 pipets are made with a durable ultrasonically welded 3 piece construction.
 Clear black printing guarantee maximum an accuracy of $\pm 2\%$.
 It benefit from having descending & ascending graduations to help pipetting and negative graduations for extra capacity.
 Pipettes are color coded according to the international standards to simplify identification.
 All pipettes are supplied with a cotton plug for protection against the suction of liquid into the pipetting device.
 Serological Pipets are supplied gamma radiation, available with bulk package or in a paper/plastic bag.
 Inner packaging is individually labelled Lot-to-Lot traceability.

Serological Pipettes, Polystyrene, Gamma Irradiation

Cat. No.	Volume(ml)	Graduations	Color	Packaging Option	Inner Pack	Case Qty	Sterility
99011	1.0	1/100	Yellow	Individually	1	500	IR
99021	2.0	1/50	Green	Individually	1	500	IR
99051	5.0	1/10	Blue	Individually	1	200	IR
99101	10.0	1/10	Red	Individually	1	200	IR
99251	25.0	2/10	Purple	Individually	1	150	IR
99501	50.0	5/10	Black	Individually	1	150	IR



Disposable Culture Tubes, Round Bottom, Rimless



Manufactured from virgin polystyrene and polypropylene.

Polystyrene tubes are transparent. Tubes can withstand centrifugation up to 1400xg and temperature at 80°C. They are suitable for use with aqueous solutions, mild bases and weak acids but not contact with volatile chemicals.

Polypropylene tubes are opaque, break-resistant. Tubes can withstand centrifugation speeds over 3000xg and temperature at 121°C.

All tubes are rimless available in round bottom.

Cat. No.	O.D.X H,mm	Capacity,ml	Material	Packaging Option	Inner Pack	Case Qty	Sterility
81111	12x60	3	PS	Heat Sealed Bag	500	4000	NON-
81121	12x60	3	PP	Heat Sealed Bag	500	4000	NON-
81211	12x75	5	PS	Heat Sealed Bag	500	4000	NON-
81221	12x75	5	PP	Heat Sealed Bag	500	4000	NON-
81311	13x75	5	PS	Heat Sealed Bag	500	4000	NON-
81321	13x75	5	PP	Heat Sealed Bag	500	4000	NON-
81411	13x100	8	PS	Heat Sealed Bag	250	2000	NON-
81421	13x100	8	PP	Heat Sealed Bag	250	2000	NON-
81711	16x75	10	PS	Heat Sealed Bag	250	2000	NON-
81721	16x75	10	PP	Heat Sealed Bag	250	2000	NON-
81611	16x100	14	PS	Heat Sealed Bag	250	2000	NON-
81621	16x100	14	PP	Heat Sealed Bag	250	2000	NON-

Disposable Culture Tubes, Round Bottom, Rimless, With Molded Graduation Lines.

Manufactured from virgin polypropylene.

Polypropylene tubes are opaque, break-resistant. Tubes can withstand centrifugation speeds over 3000xg and temperature at 121°C.

Tubes are rimless available in round bottom with molded graduation lines.



Cat. No.	O.D.X H,mm	Capacity,ml	Material	Packaging Option	Inner Pack	Case Qty	Sterility
87110	12x75	5	PS	Heat Sealed Bag	500	4000	NON-
87111	12x75	5	PP	Heat Sealed Bag	500	4000	NON-



Culture

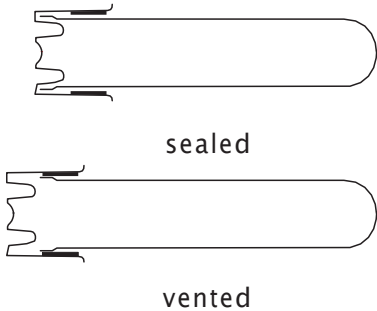
Disposable Culture Tubes, Round Bottom, Rimed



Made of ultra clear virgin polypropylene or virgin polystyrene
 Polystyrene tubes are transparent. Polypropylene tubes are opaque, break-resistant.
 12x75mm Polystyrene tubes can withstand centrifugation up to 1400xg and temperature at 80°C; Polypropylene tubes can be 3000xg and 120°C
 17x100mm Polystyrene tubes can withstand centrifugation up to 3000xg and temperature at 80°C; Polypropylene tubes can be 5500xg and 120°C
 Available with Printed Graduations and large white marking area for easy labelling

Cat. No.	O.D.X H,mm	Capacity,ml	Material	Graduation	Packaging Option	Inner Pack	Case Qty	Sterility
82111	12x75	5	PS	NO	Heat Sealed Bag	500	4000	NON-
82121	12x75	5	PS	YES	Heat Sealed Bag	500	4000	NON-
82211	12x75	5	PP	NO	Heat Sealed Bag	500	4000	NON-
82221	12x75	5	PP	YES	Heat Sealed Bag	500	4000	NON-
82311	17x100	14	PS	NO	Heat Sealed Bag	250	2000	NON-
82321	17x100	14	PS	YES	Heat Sealed Bag	250	2000	NON-
82411	17x100	14	PP	NO	Heat Sealed Bag	250	2000	NON-
82421	17x100	14	PP	YES	Heat Sealed Bag	250	2000	NON-

Disposable Culture Tubes, Round Bottom, Rimed, with Dual-position Cap



Made of ultra clear virgin polypropylene or virgin polystyrene
 Polystyrene tubes are transparent. Polypropylene tubes are opaque, break-resistant.
 12x75mm Polystyrene tubes can withstand centrifugation up to 1400xg and temperature at 80°C; Polypropylene tubes can be 3000xg and 120°C
 17x100mm Polystyrene tubes can withstand centrifugation up to 3000xg and temperature at 80°C; Polypropylene tubes can be 5500xg and 120°C
 Available with Printed Graduations and large white marking area for easy labeling

- Dual-position Cap:
- Vented for aerobic cultures work
 - Sealed for anaerobic cultures work



Culture Tubes

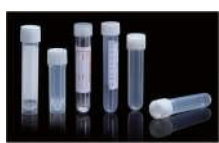
Cat. No.	O.D.X.H,mm	Capacity,ml	Material	Packaging Option	Inner Pack	Case Qty	Sterility
82141	12x75	4	PS	Individual Peel Pack	1	500	EO
82142	12x75	4	PS	Heat Sealed Bag	25	1000	EO
82143	12x75	4	PS	Heat Sealed Bag	125	1000	EO
82241	12x75	4	PP	Individual Peel Pack	1	500	EO
82242	12x75	4	PP	Heat Sealed Bag	25	1000	EO
82243	12x75	4	PP	Heat Sealed Bag	125	1000	EO
82341	17x100	12	PS	Individual Peel Pack	1	500	EO
82342	17x100	12	PS	Heat Sealed Bag	25	1000	EO
82343	17x100	12	PS	Heat Sealed Bag	125	1000	EO
82441	17x100	12	PP	Individual Peel Pack	1	500	EO
82442	17x100	12	PP	Heat Sealed Bag	25	1000	EO
82443	17x100	12	PP	Heat Sealed Bag	125	1000	EO

Drosophila Vials

Ideal for drosophila research.
 Manufactured from virgin Polystyrene or Polypropylene .
 Bulk packs for convenient handling.
 Polystyrene fly vials offer glass-like clarity for excellent visibility.
 Polypropylene fly vials are fully autoclavable. Virtually indestructible fly vials offer good clarity and cost savings.
 Flat bottom straight wall design for convenient racking, stacking and filling



Cat. No.	O.D.X.H,mm	Description	Material	Inner Pack	Case Qty	Sterility
87100	24x75	Short	PS	25	500	EO
87101	24x75	Short	PP	25	500	EO
87200	28.5x95	Wide	PS	25	500	EO
87201	28.5x95	Wide	PP	25	500	EO
87300	25x95	Narrow	PS	25	500	EO
87301	25x95	/	PP	25	500	EO
87400	29.7x94.8	/	PS	100	1000	EO
87401	29.7x94.8	/	PP	100	1000	EO
87500	24.8x73	/	PS	100	1000	EO
87501	24.8x73	/	PP	100	1000	EO



Transport Sample Tubes

Manufactured from virgin polystyrene, polypropylene and Polycarbonate.
 The tubes are ideal for any sample transport and collection
 Available in option of round, flat and free-standing bottom
 Screw cap offers good leak-proof
 Moulded external graduation, labeled with patient ID and pre-Boric Acid offers different meets

Transport Tubes, 16x79mm, 10ml, Screw Cap with $1\frac{1}{4}$ thread design, Round Bottom



Cat. No.	Description	Material	Inner Pack	Case Qty	Sterility
84400	Tubes No Label	PP	100	1000	NON-

Transport Tubes, Screw Cap, Free-standing Bottom, Molded graduation $1\frac{1}{4}$ turn thread design for super fast screwing



Cat. No.	O.D.X H,mm	Capacity,ml	Material	Packaging Option	Inner Pack	Case Qty	Sterility
86110	12x60	5	PP	Heat Sealed Bag	100	1000	NON-
86120	12x80	10	PP	Heat Sealed Bag	100	1000	NON-



Transport Sample Tubes

Transport Tubes, 16x100mm, 14ml, Screw Cap with thread design, Round Bottom

1¹

Cat. No.	Description	Material	Inner Pack	Case Qty	Sterility
84100	Tubes No Label	PS	100	1000	NON-
84101	Tubes Labelled	PS	100	1000	NON-
84102	Tubes Labelled,with Boric Acid	PS	100	1000	NON-
84110	Tubes No Label	PS	100	1000	EO
84111	Tubes Labelled	PS	100	1000	EO
84112	Tubes Labelled,with Boric Acid	PS	100	1000	EO
84200	Tubes No Label	PP	100	1000	NON-
84201	Tubes Labelled	PP	100	1000	NON-
84202	Tubes Labelled,with Boric Acid	PP	100	1000	NON-
84210	Tubes No Label	PP	100	1000	EO
84211	Tubes Labelled	PP	100	1000	EO
84212	Tubes Labelled,with Boric Acid	PP	100	1000	EO



Transport Tubes, Φ 15x100mm, 10ml, Screw Cap, Round Bottom

Cat. No.	Description	Material	Inner Pack	Case Qty	Sterility
84300	Tubes No Label	PS	100	1000	NON-
84301	Tubes No Label	PC	100	1000	NON-



NEW



NEW

Transport Tubes, Φ 25x92mm, 30ml, Screw Cap, Flat Bottom, No graduation

Cat. No.	Description	Material/Cap	Inner Pack	Case Qty	Sterility
84500	No Label	PS	100	1000	Non-
84501	No Label	PC	100	1000	Non-

Urine Tube, PS, Sediment, 12ml

- With flared opening, With sediment bulb, whale type.
- Graduated.
- Centrifuge spin rate: 1500 RPM.
- Dimensions: 20 x 103mm

Recommended caps:

- 1) 89910 Snap Cap with Grip, Yellow
- 2) 89920 - Snap Cap with Peak, Transparent



Cat. No.	Size mm	Volume ml	Material	Packaging Option	Inner Pack	Case Qty
81711	20x103	12	PS	Heat Sealed Bag	100	2000



Flange Plug Cap, Polyethylene



These Polyethylene caps have two flexible flanges to ensure a leak proof seal. They will fit into test tubes and also in round cuvettes and centrifuge tubes. More space between each flange increase the cap sealing results.

Cat. No.	Description	Packaging Option	Inner Pack	Case Qty	Sterility
89112N	Φ12mm, Natural	ZIP Lock	1000	20000	NON-
89113N	Φ13mm, Natural	Bag ZIP	1000	20000	NON-
89116N	Φ16mm, Natural	Lock Bag ZIP Lock	1000	20000	NON-

*Available in different colours for sample identification:

White  Red  Purple  Blue  Green  Yellow 

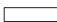
Plug Push In Cap, Polyethylene



These Polyethylene caps feature hollow top plug stopper with high grip. They will fit into test tubes and also in round cuvettes and centrifuge tubes. Designed 3 internal rims to clamp firmly on the tube.

Cat. No.	Description	Packaging Option	Inner Pack	Case Qty	Sterility
89212N	Φ12mm, Natural	ZIP Lock Bag	1000	20000	NON-
89216N	Φ16mm, Natural	ZIP Lock Bag	1000	20000	NON-

*Available in different colours for sample identification:

White  Red  Purple  Blue  Green  Yellow 

Recap for Blood Collection and Culture Tubes, Polyethylene



Ideal for sealing blood collection tubes, glass and plastic culture tubes. Double flanged seals lock the tube top firmly and securely. The unique dual thumb tab offer removal easily.



Tube

Cat. No.	Description	Packaging Option	Inner Pack	Case Qty	Sterility
89312N	Φ12/13mm, Natural	ZIP Lock Bag	1000	20000	NON-
89316N	Φ16mm,Natural	ZIP Lock Bag	1000	20000	NON-



Tube Stoppers

Dual-Position Caps for Culture Tubes

Made of polyethylene for test tubes with O.D. from 12mm to 17mm
The closed but unsealed position where samples are maintained aerobic for microbiological procedures

Fully sealed position where the cap is pushed tight to seal the tube for anaerobic use or for storage, transfer and centrifuge applications

Cat. No.	Description	Packaging Option	Inner Pack	Case Qty	Sterility
89412	Φ12mm,Natural	ZIP Lock Bag	1000	20000	NON-
89417	Φ17mm,Natural	ZIP Lock Bag	1000	20000	NON-



Over-Fit Cap, Polyethylene

Ideal for glass blood collection tubes with O.D. 16mm

Caps are designed for easy-on and easy-off use
Sturdy caps could be used under harsh conditions

Cat. No.	Description	Packaging Option	Inner Pack	Case Qty	Sterility
89716N	Φ16mm,Natural	ZIP Lock Bag	1000	20000	NON-

*Available in different colours for sample identification:

White Red Purple Blue Green Yellow



Snap Cap for Urine Tubes, with Grip, Polyethylene

Ideal for sealing flared-top urine sediment tube

Light-Weighted

With a lifting grip for easy opening

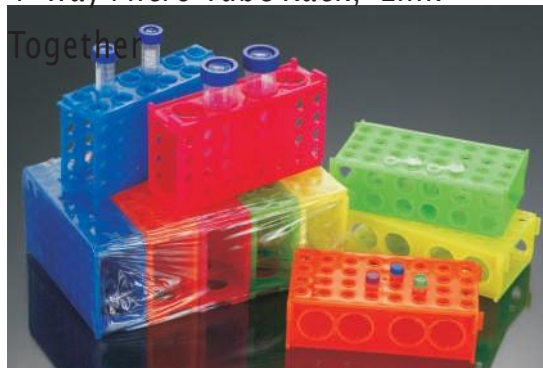
External diameter:23.30mm

Cat. No.	Packaging Option	Inner Pack	Case Qty	Sterility
89810	ZIP Lock Bag	100	4000	NON-





4-Way Micro Tube Rack, Link



Heavy-duty polypropylene racks feature a unique system of tabs and slots, which facilitate easy connection and sturdy fit. Create as large a rack as you need by linking together multiple racks. Suitable for autoclaving at 121°C. Fitting for (4) 50ml conical tubes; (12) 15ml conical tubes; (32) 1.5ml and 0.5ml tubes. Rack measures 174 x 95 x 52 mm(LxWxH).

Cat. No.	Color	Packaging Option	Inner Pack	Case Qty	Sterility
91100B	Blue	Heat Sealed Bag	1	50	NON-
91100G	Green	Heat Sealed Bag	1	50	NON-
91100P	Rose	Heat Sealed Bag	1	50	NON-
91100Y	Yellow	Heat Sealed Bag	1	50	NON-
91100O	Orange	Heat Sealed Bag	1	50	NON-
91100	Assorted Colors	Shrink of 5 Pcs	5	50	NON-

Compact Microtube Storage Box, 100-well



Manufactured in virgin Polypropylene. Fitting for 1.5ml and 2.0ml vials, tubes, microtubes under easy-open hinged lid. Alphanumeric grid on lid for easy identification of tubes. High wall design with air vents. Temperature range -80°C to 121°C. Suitable for autoclaving at 121°C. Measurement: 141 x 151 x 57mm(LxWxH).

Cat. No.	Color	Packaging Option	Inner Pack	Case Qty	Sterility
91200N	Natural	Heat Sealed Bag	1	50	NON-
91200B	Blue	Heat Sealed Bag	1	50	NON-
91200G	Green	Heat Sealed Bag	1	50	NON-
91200P	Rose	Heat Sealed Bag	1	50	NON-
91200Y	Yellow	Heat Sealed Bag	1	50	NON-
91200O	Orange	Heat Sealed Bag	1	50	NON-
91200	Assorted Colors	Shrink of 5 Pcs	5	50	NON-



Compact Microtube Storage Box, 81-well

Manufactured in virgin Polypropylene

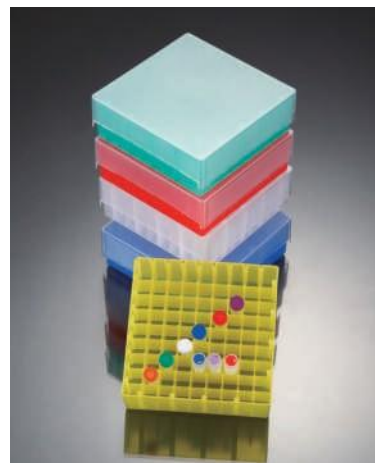
Fitting for 1.5ml and 2.0ml vials, tubes, microtubes under easy-open, friction-fit lid

Alphanumeric grid on lid for easy identification of tubes

Temperature range -80°C to 121°C. Suitable for autoclaving at 121°C

High wall design with air vents

Measurement: 130 x 130 x 45 mm (LxWxH)



Cat. No.	Color	Packaging Option	Inner Pack	Case Qty	Sterility
91281N	Natural	Heat Sealed Bag	1	50	NON-
91281B	Blue	Heat Sealed Bag	1	50	NON-
91281G	Green	Heat Sealed Bag	1	50	NON-
91281P	Rose	Heat Sealed Bag	1	50	NON-
91281Y	Yellow	Heat Sealed Bag	1	50	NON-
91281O	Orange	Heat Sealed Bag	1	50	NON-
91281	Assorted Colors	Shrink of 5 Pcs	5	50	NON-

PCR Racks, 96 well with or without Cover

The Heavy-duty polypropylene rack can hold individual 0.2ml PCR

tubes, 8 and 12 tube strips and 96 wells PCR plate

An alphanumeric grid helps sample identification

They are stackable and compact

Suitable for autoclaving at 121°C

Rack Measurement:

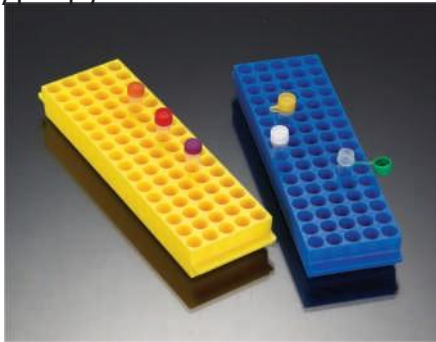
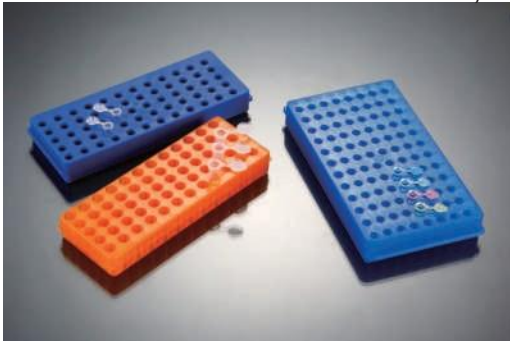
- 125 x 85 x 31 mm (LxWxH, mm)



Cat. No.	Wells	Colour	Packaging Option	Inner Pack	Case Qty	Sterility
91700B	96-Well (8x12), No Lid.	Blue	ZIP Lock Bag	1	50	NON-
91700G	96-Well (8x12), No Lid.	Green	ZIP Lock Bag	1	50	NON-
91700R	96-Well (8x12), No Lid.	Red	ZIP Lock Bag	1	50	NON-
91700Y	96-Well (8x12), No Lid.	Yellow	ZIP Lock Bag	1	50	NON-
91700O	96-Well (8x12), No Lid.	Orange	ZIP Lock Bag	1	50	NON-
91700	96-Well (8x12), No Lid.	Assorted Colors	ZIP Lock Bag	1	50	NON-
91710B	96-Well (8x12), With Lid.	Blue	ZIP Lock Bag	1	50	NON-
91710G	96-Well (8x12), With Lid.	Green	ZIP Lock Bag	1	50	NON-
91710R	96-Well (8x12), With Lid.	Red	ZIP Lock Bag	1	50	NON-
91710Y	96-Well (8x12), With Lid.	Yellow	ZIP Lock Bag	1	50	NON-
91710O	96-Well (8x12), With Lid.	Orange	ZIP Lock Bag	1	50	NON-
91710	96-Well (8x12), With Lid.	Assorted Colors	ZIP Lock Bag	1	50	NON-



Reversible Racks for Microtube, Polypropylene



Manufactured in Heavy-duty Polypropylene
 One side is designed to hold 1.5ml/2.0ml tubes, the other side holds 0.5ml/0.7ml tubes
 Racks are molded numbered on the surface for easy samples identification
 Idea for Freezing. Temperature range -80°C to 121°C. Suitable for autoclaving at 121°C

Rack Measurement:

- Translucent rack with two holding sides.
- Opaque rack with one holding side.
- Translucent rack with two holding sides.

Cat. No.	Wells	Colour	Packaging Option	Inner Pack	Case Qty	Sterility
91660B	60-Well (5x12)	Blue	Heat Sealed Bag	1	50	NON-
91660G	60-Well (5x12)	Green	Heat Sealed Bag	1	50	NON-
91660R	60-Well (5x12)	Red	Heat Sealed Bag	1	50	NON-
91660Y	60-Well (5x12)	Yellow	Heat Sealed Bag	1	50	NON-
91660O	60-Well (5x12)	Orange	Heat Sealed Bag	1	50	NON-
91680B	80-Well (5x16)	Blue	Heat Sealed Bag	1	50	NON-
91680G	80-Well (5x16)	Green	Heat Sealed Bag	1	50	NON-
91680R	80-Well (5x16)	Red	Heat Sealed Bag	1	50	NON-
91680Y	80-Well (5x16)	Yellow	Heat Sealed Bag	1	50	NON-
91680O	80-Well (5x16)	Orange	Heat Sealed Bag	1	50	NON-
91696B	96-Well (8x12)	Blue	Heat Sealed Bag	1	50	NON-
91696G	96-Well (8x12)	Green	Heat Sealed Bag	1	50	NON-
91696R	96-Well (8x12)	Red	Heat Sealed Bag	1	50	NON-
91696Y	96-Well (8x12)	Yellow	Heat Sealed Bag	1	50	NON-
91696O	96-Well (8x12)	Orange	Heat Sealed Bag	1	50	NON-

Snap-Together Test Tube Racks Polypropylene



Made of heavy-duty polypropylene.
 Unique designed racks fitting for all tubes with dia. 12mm, 100 wells (10x10)
 The rack is combined of 3 tiers to facilitate the insertion and stability of test tubes.
 Easy to assemble and snap together securely, no floating.
 Shipped flat.
 Suitable for autoclaving at 121°.
 Features alphanumeric grid reference aids for tube identification.
 Available in 5 colors.
 Rack Measurement: 155x150x72mm

Cat. No.	Color	Packaging Option	Case Qty	Sterility
91800	White	Bulk Loose in Bag	50	NON-

Snap-Together Test Tube Racks Polypropylene

Manufactured in Heavy-duty Polypropylene. Designed for stable use in water baths

Easy-to-assemble polypropylene racks snap together securely in seconds

Features alphanumeric grid reference aids for tube identification

Shipped Flat

Fitting for test tube range from Dia. 12mm to Dia 21 mm

Suitable for autoclaving at 121°C

Rack Measurement:

- 40-well(4x10):245 x 105 x 67mm(LxWxH,mm)
- 60-well(5x12):245 x 105 x 67mm(LxWxH,mm)
- 90-well(6x15):245 x 105 x 57mm(LxWxH,mm)



Cat. No.	Wells	Fitting for tube Dia.	Colour	Packaging Option	Inner Pack	Case Qty	Sterility
91440W	40-Well (4x10)	20mm-21mm	White	Heat Sealed Bag	5	50	NON-
91440B	40-Well (4x10)	20mm-21mm	Blue	Heat Sealed Bag	5	50	NON-
91440R	40-Well (4x10)	20mm-21mm	Red	Heat Sealed Bag	5	50	NON-
91440Y	40-Well (4x10)	20mm-21mm	Yellow	Heat Sealed Bag	5	50	NON-
91460W	60-Well (5x12)	15mm-17mm	White	Heat Sealed Bag	5	50	NON-
91460B	60-Well (5x12)	15mm-17mm	Blue	Heat Sealed Bag	5	50	NON-
91460R	60-Well (5x12)	15mm-17mm	Red	Heat Sealed Bag	5	50	NON-
91460Y	60-Well (5x12)	15mm-17mm	Yellow	Heat Sealed Bag	5	50	NON-
91490W	90-Well (6x15)	12mm-13mm	White	Heat Sealed Bag	5	50	NON-
91490B	90-Well (6x15)	12mm-13mm	Blue	Heat Sealed Bag	5	50	NON-
91490R	90-Well (6x15)	12mm-13mm	Red	Heat Sealed Bag	5	50	NON-
91490Y	90-Well (6x15)	12mm-13mm	Yellow	Heat Sealed Bag	5	50	NON-

Snap- Together Conical Tube Racks, Polypropylene

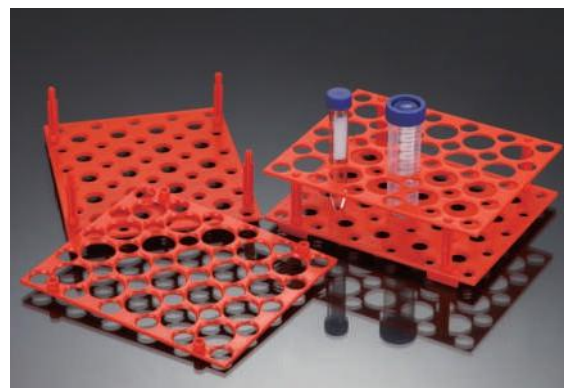
Easy-to-assemble polypropylene racks snap together securely

Designed for stable use in water baths

Features alphanumeric grid reference aids for tube identification

Shipped flat wells for 15ml tubes measure 17mm Dia., wells for

50ml tubes measure 28mm Dia.



Cat. No.	Color	Packaging Option	Inner Pack	Case Qty	Sterility
91500	Orange	ZIP Lock Bag	1	50	NON-